

# ASSEMBLY INSTRUCTION

Name: FS-VarioLock

Model Number: #17.1061

Instruction ID: #00.552\_D

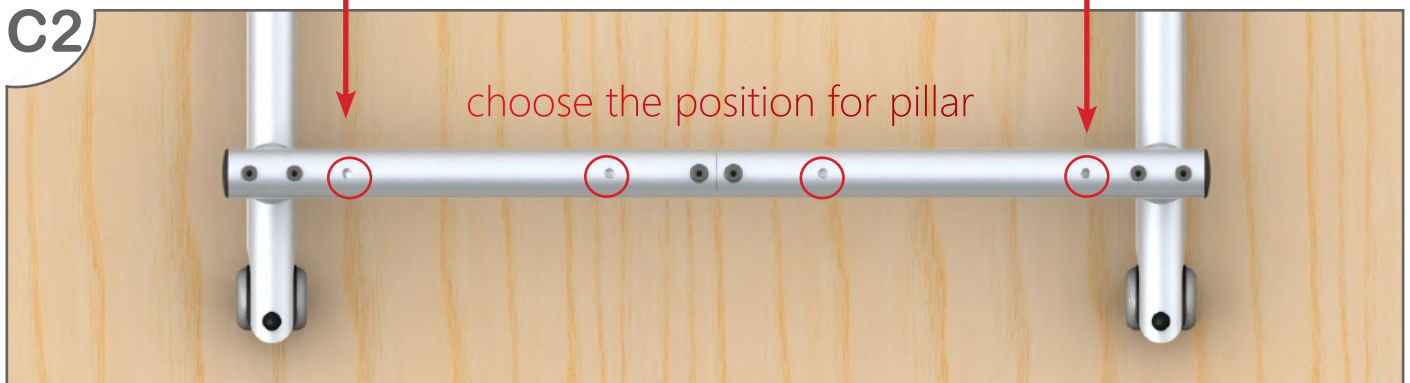
**A1**



**B1**



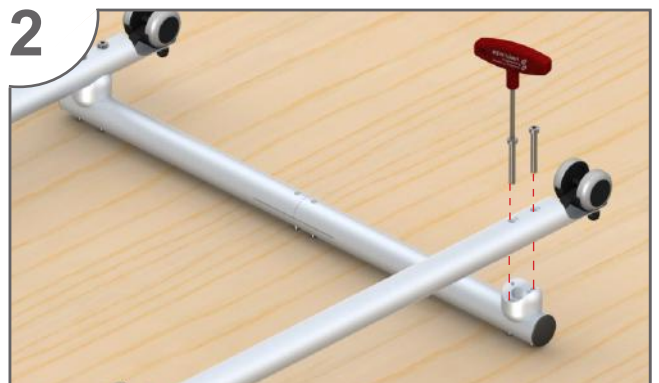
**C2**



**1**



**2**

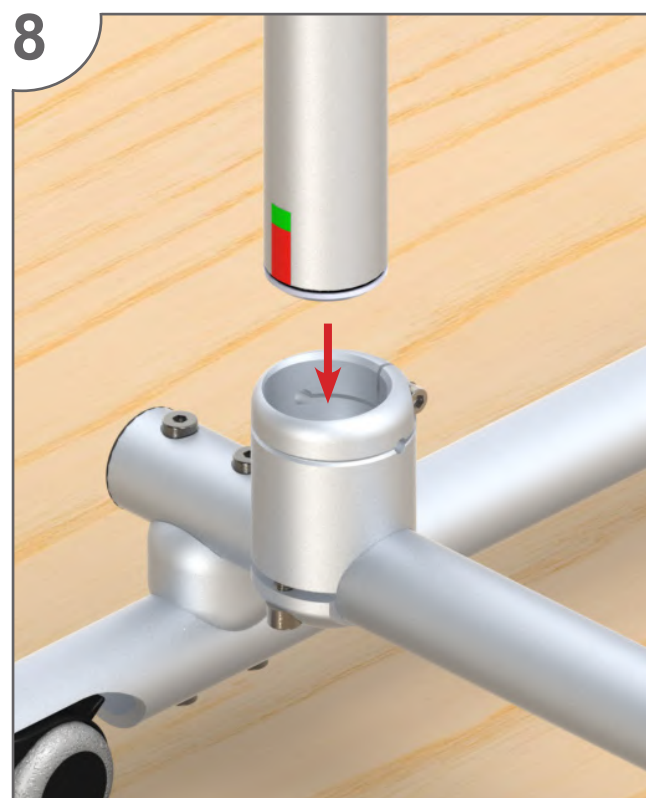
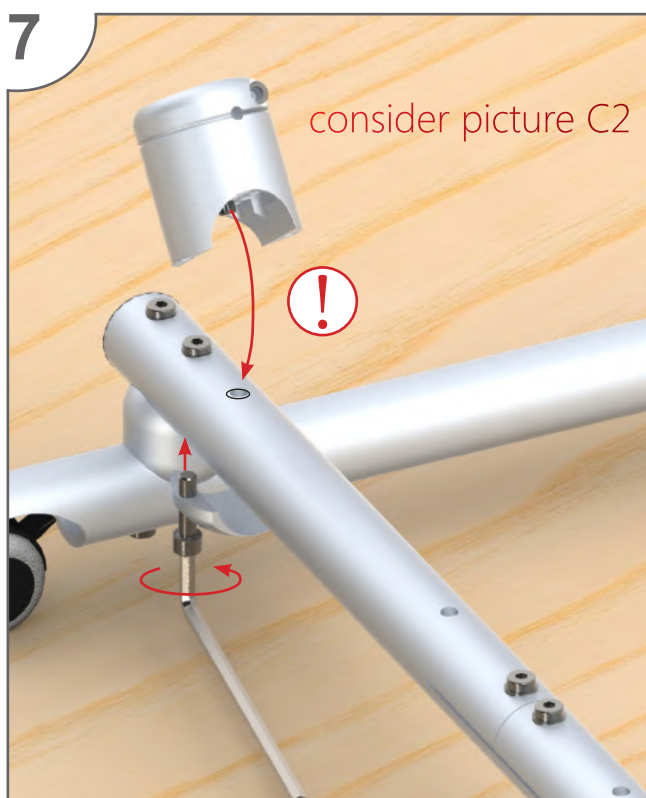
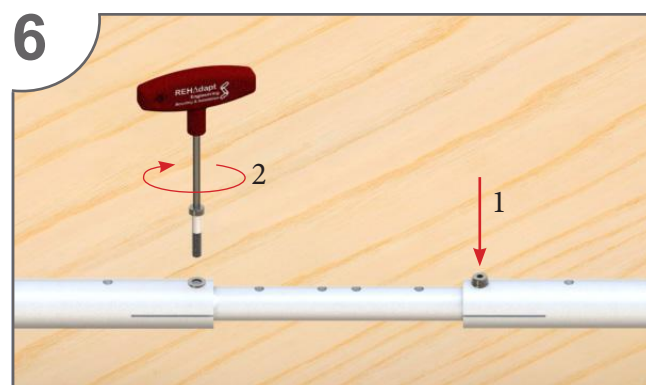
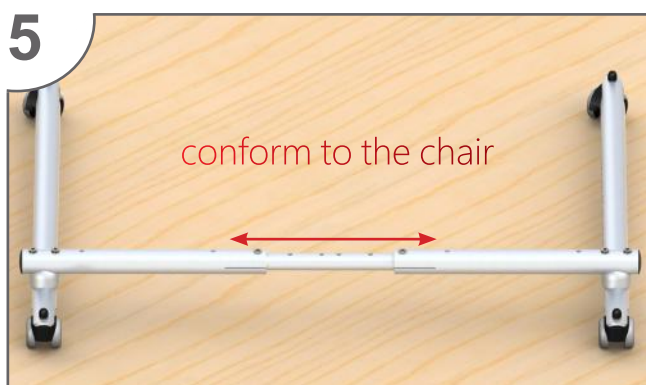
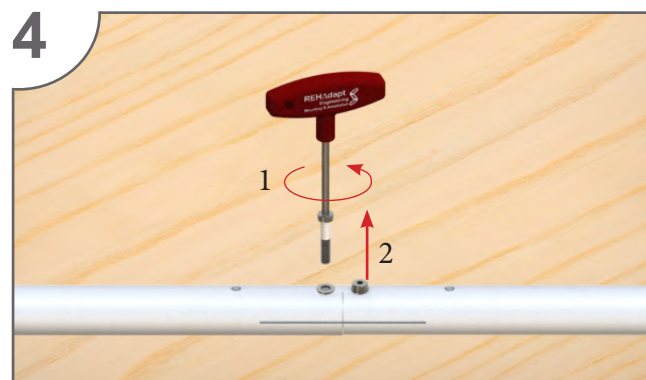
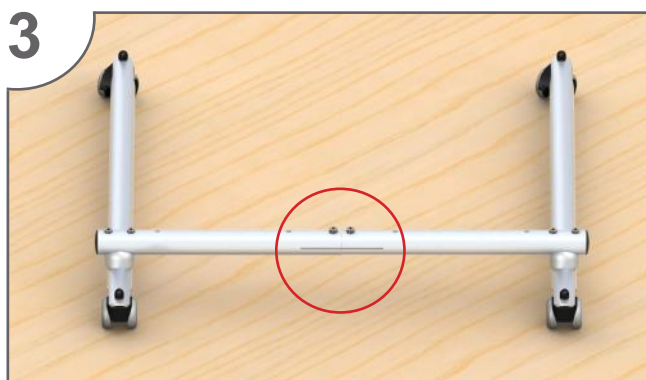


# ASSEMBLY INSTRUCTION

Name: FS-VarioLock

Model Number: #17.1061

Instruction ID: #00.552\_D



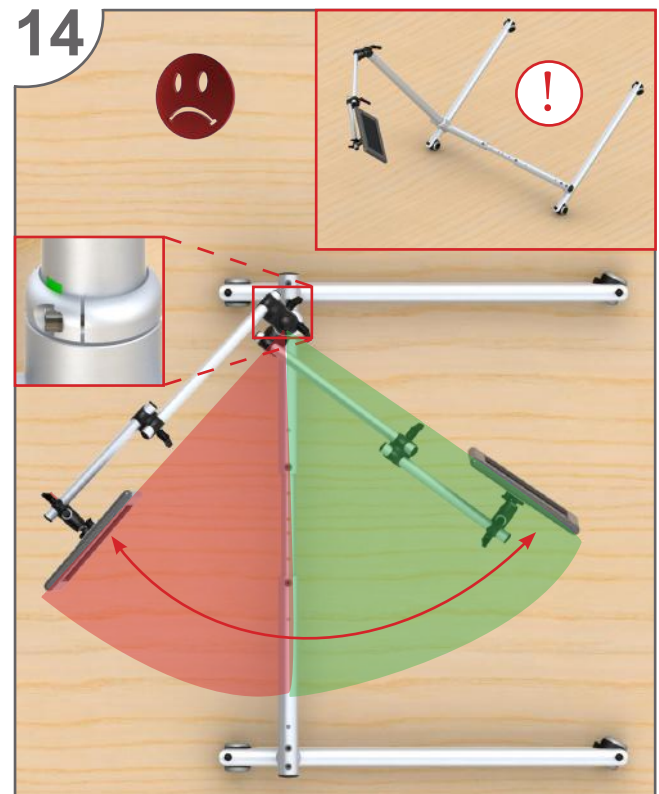
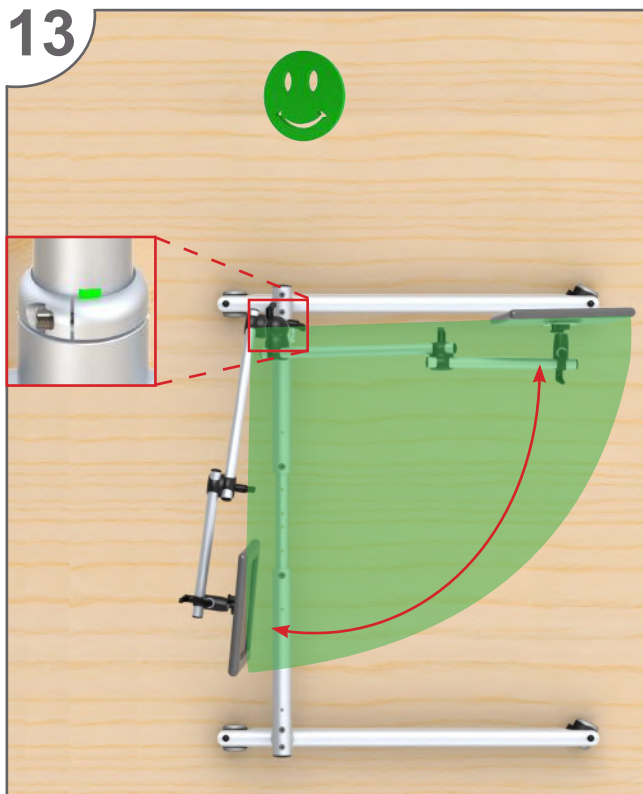
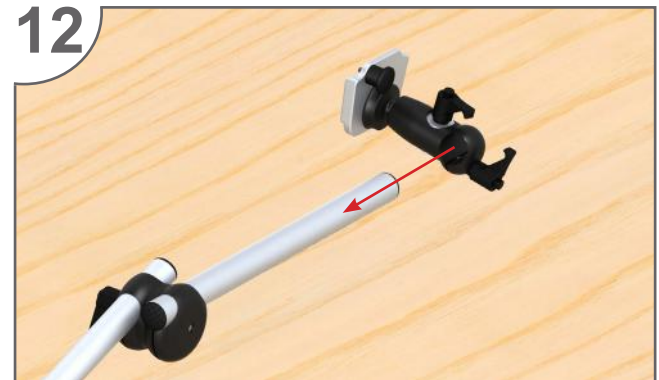
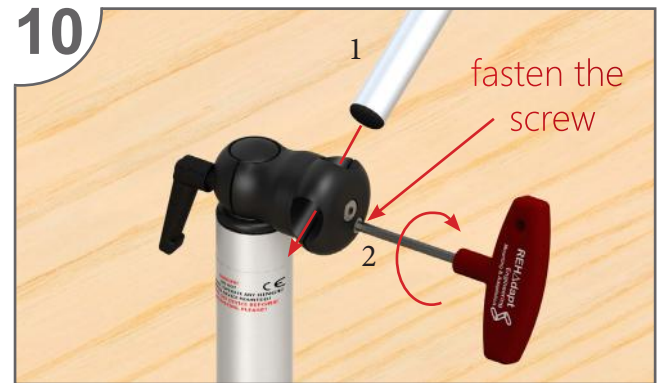
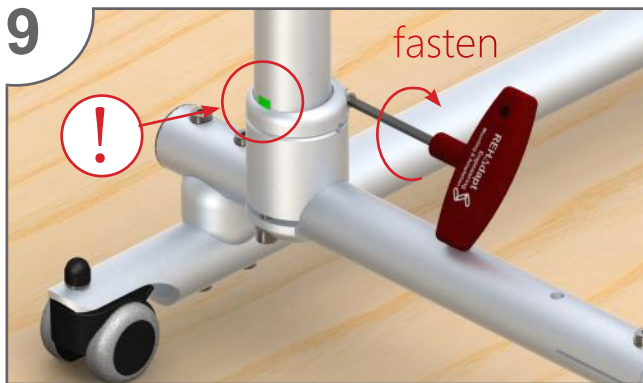


# ASSEMBLY INSTRUCTION

Name: FS-VarioLock

Model Number: #17.1061

Instruction ID: #00.552\_D

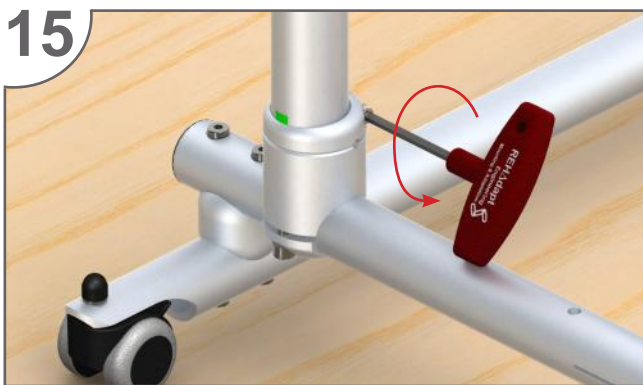


# ASSEMBLY INSTRUCTION

Name: FS-VarioLock

Model Number: #17.1061

Instruction ID: #00.552\_D



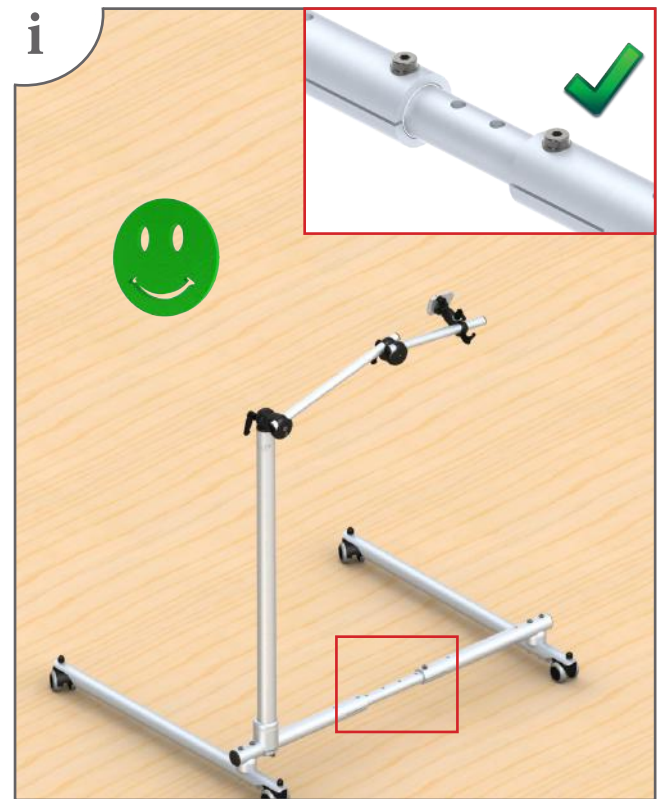
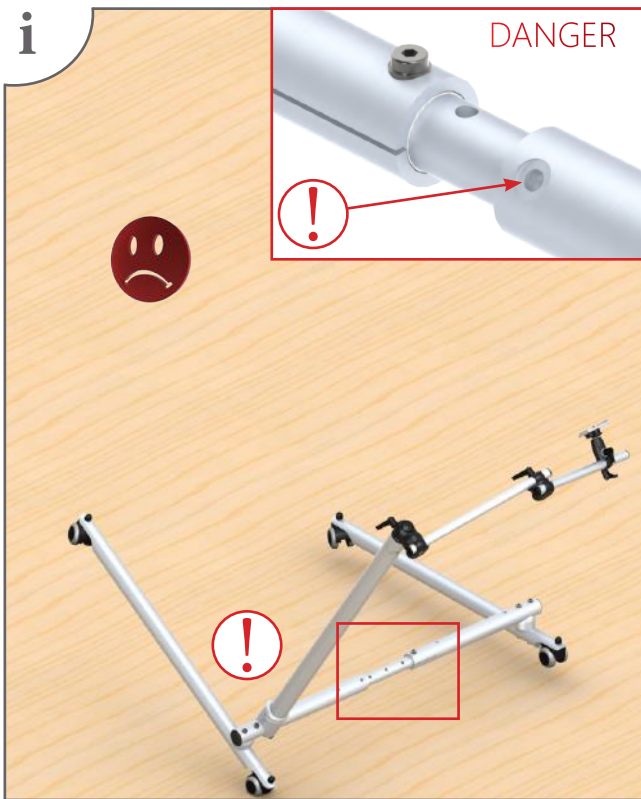


# ASSEMBLY INSTRUCTION

Name: FS-VarioLock

Model Number: #17.1061

Instruction ID: #00.552\_D



----- Telescope Pole -----



## ACHTUNG!

BETÄTIGUNG/  
VERSTELLUNG JEGLICHER  
GELENKE NUR MIT  
ABGENOMMENEM GERÄT!

BITTE GERÄT VORHER  
ABNEHMEN!



## ATTENTION!

DO NOT ADJUST/OPERATE  
ANY HINGE WITH DEVICE  
MOUNTED!

TAKE OFF DEVICE BEFORE  
ADJUSTING, PLEASE!